

SCADAWatch

3e-646A



Serial-based control systems such as CANopen, Profibus, and DeviceNet used in critical platforms are unmonitored, and assumed uncompromised, making them ideal targets for a cyber-attack. SCADAWatch provides passive detection of an unauthorized or malicious action, generating an alert without degrading critical system operations.

SCADAWatch is a cyber security appliance that detects and responds to an attack within defenseless serial control networks. Using SCADAWatch, a serially controlled system such as a ship monitoring-and-control network or an advanced weapon system will be able to distinguish between a sophisticated cyber-attack and equipment failure. This capability primes an operator, allowing an immediate and appropriate response to unauthorized activity that can critically impact mission performance.

FEATURES

- Protocol Support**
 SCADAWatch currently supports CANopen/CAN bus networks with additional protocol support to be released shortly
- Real-time Monitoring**
 All data is temporarily logged and a white list is created containing Node ID and associated Function Codes
- Intelligent Monitoring**
 SCADAWatch analyzes the data to verify only well-formed messages and allowed instructions are communicated
- Automated Alerts**
 Data that does not match white list logs will be logged and an alert will be generated

CAN PROTOCOL SUPPORT

- » CAN 2.0A (11-bit ID standard)
- » CAN 2.0B (29-bit ID extended)
- » CANopen

POWER

- » 20-50VDC
- » 10.5W max
- » PoE Compatible

POWER / IO PORT

- » CAN Bus interface 1Mbps capable
- » Receive mode only, monitors CAN bus activity
- » Compatible with CAN 2.0A, 2.0B, and ISO 11898
- » 20-50VDC input
- » Max power consumption 10.5W

OPERATIONAL TEMPERATURE

- » -25°C to +60°C

DIMENSIONS / WEIGHT

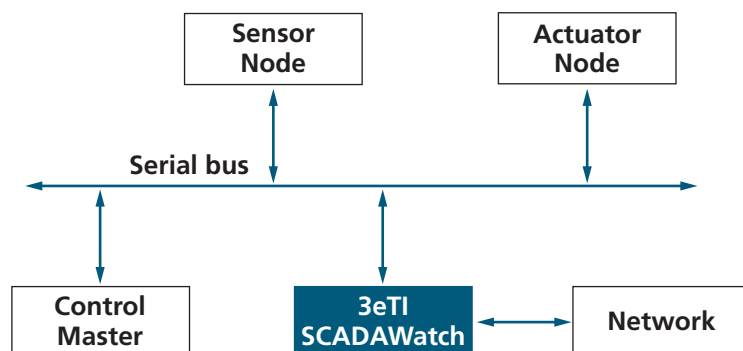
- » 8.5" x 4.7" x 2.25"
- » 2.0 lbs

LED INDICATORS

- » Power
- » Bus activity
- » Network activity
- » IO / ALARM activity

NETWORK PORT

- » 10/100/1000 Ethernet port, low latency
- » Remote system management
- » Local GUI management
- » Provides access to CAN system traffic via Ethernet network



SCADAWatch brings cyber-attack detection and response capabilities to critical systems previously left isolated and susceptible to attack